



*Model FCT/CB-4SP/CUT Food Court Table, black powder coated frames, 4 ft. long, surface mount, steel plate top and seats with blue textured powder coat paint finish.*

- **Seats four with small surface footprint**
- **Wheelchair or stroller access at both ends.**
- **All welded frames are fabricated from 2-3/8" diameter steel pipe.**
- **Frames are hot dip galvanized after fabrication for superior corrosion resistance.**
- **Textured powder coat finish on steel top and seats is less susceptible to marring and scuffing.**

#### **AVAILABLE OPTIONS**

- **Powder coat frame finish in choice of colors.**
- **Choice of colors of textured powder coat top/seats finish.**
- **Cover caps for frame posts.**

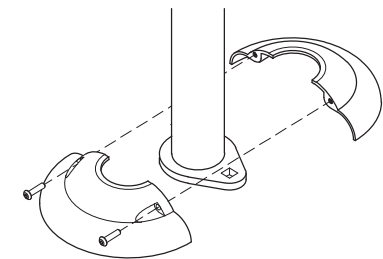
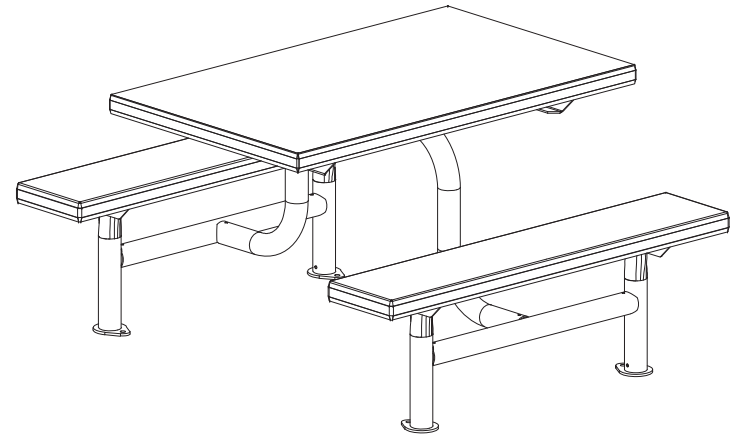
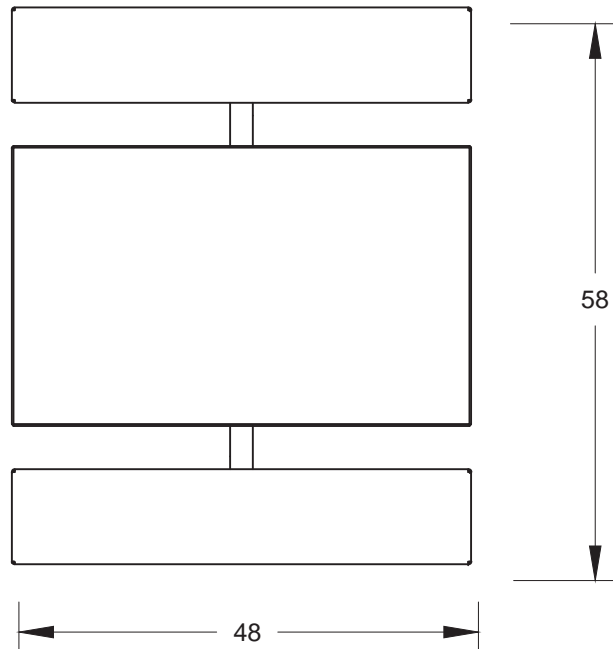
#### **SPECIFICATIONS:**

- **Model FCT** frames are one-piece welded construction, fabricated from 2.375" O.D. (2-3/8" O.D.) 11 ga. wall steel pipe to meet 2" nominal steel pipe size specifications, with heavy gauge steel die-formed angles for attaching/supporting seats and top. The two frame structures bolt together under the table top. Welded-on mounting plates with 9/16" dia. holes allow table to be permanently anchored to a hard surface.
- Surface mount (bolt down) installation provides a secure location. Set of (4) screw anchors for concrete surfaces are included.
- Model FCT-4 table is 4 ft. long and seats four people with walk in access to seats.
- Overall footprint of this table is 48" long x 58" wide.
- Nominal table height 29-1/2". Nominal seat height is 16-1/2".
- All fasteners are provided for assembly.
- The open span frame design of Model FCT Food Court Table creates a clear area under and around the table for easy clean up.
- **Standard:** All steel frame components are hot-dip galvanized after fabrication to ASTM-A123 to maintain an average zinc coating of 2.0 oz. per sq. ft. of surface area (indicated by "/G" in model no., e.g., FCT/G-4SP/CWT.)
- **Standard:** Table top and seats are each a one-piece welded construction, fabricated from a 14 ga. steel plate with 2" roll-formed vertical edges on all sides and reinforced by a strap and die-formed angle substructure (indicated by "SP" in model no., e.g. FCT/G-4SP/CWT. Substructure includes all mounting holes for easy assembly of table.
- **Standard:** All steel surfaces of the top and seats are finished with a semi-gloss textured powder coat paint in brown color (indicated by "CWT" in model no. e.g. FCT/G-4SP/CWT). This baked on, lead free TGIC polyester powder coat finish is applied in a multi-step process of material preparation and finish application. The textured surface is less susceptible to marring and scuffing.
- **Optional:** All steel frame components have powder coat finish. For optional colors, see Specification Bulletin #SPC-CO-001.
- **Optional:** Color choices of textured powder coated steel top and seat. For optional colors, see Specification Bulletin #SPC-CO-001.
- **Optional:** 2-part aluminum cover caps for frame post anchor plates. Order (4) #CC-1 cover caps. Standard aluminum finish will coordinate with hot dip galvanized frame finish. Powder coat finish available to match optional frame finish colors.

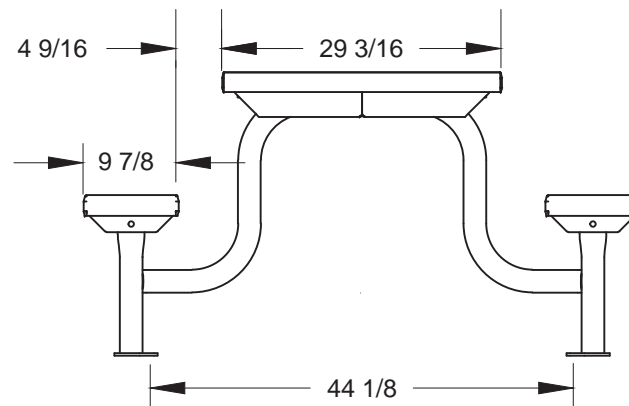
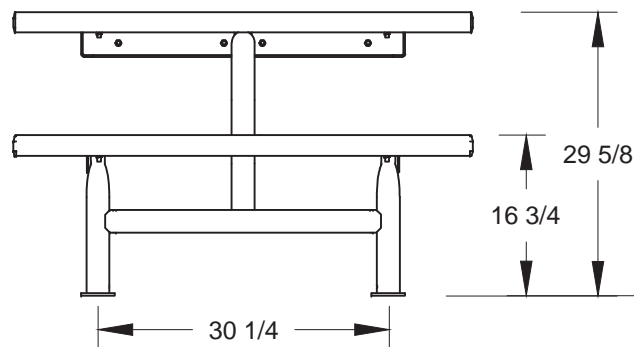
**RJ Thomas Mfg. Co., Inc.**

PO Box 946 • Cherokee, IA 51012-0946 • PH: 712-225-5115 • 800-762-5002 • FAX: 712-225-5796  
E-mail: pilotrock@rjthomas.com • Web Site: <http://www.pilotrock.com>

© 2019 RJ Thomas Mfg. Co., Inc. PILOT ROCK® Park Products is a registered trademark of RJ Thomas Mfg. Co., Inc.



**MODEL CC-1**  
SURFACE INSTALLATION  
TWO-PART ALUMINUM COVER CAP



ALL DIMENSIONS IN INCHES

**RJThomas Mfg. Co., Inc.**  
P.O. Box 946 • Cherokee, IA 51012-0946

DRAWN BY  
**JGJ**

TITLE **MODEL FCT 4 FOOT FOOD COURT TABLE WITH POWDER COATED STEEL PLATE  
TOP AND SEATS**

DATE **10-16-17**

DWG. NO. **AI-2083**